



aerospace
climate control
electromechanical
filtration
fluid and gas handling
hydraulics
pneumatic
process control
sealing & shielding



Solenoid Valves



ENGINEERING YOUR SUCCESS

Solenoid Valves

PRODUCTS OVERVIEW

General Purpose valve



121K/V/F Series 122K Series

2/2 Way valve
(Direct Operated)

- ▶ Normally Closed, Normally Open
- ▶ 7000 sleeve assembled
- ▶ Body : Brass, StSt 303
- ▶ Coil : All of 7000 sleeve coil available
- ▶ Operated on Zero MOPD
- ▶ Air, Water Inert ga, Oil, Corrosive fluid and steam applicable
- ▶ Applied Seal : FKM, Ruby, Teflon and Factory consult need for NBR, EPDM

5 Page



131K/V/F Series 133K/V/F Series

3/2 Way Valve
(Direct Operated)

- ▶ Normally Closed, Universal
- ▶ 7000 sleeve assembled
- ▶ Body : Brass, StSt 303
- ▶ Coil : All of 7000 sleeve coil available
- ▶ Operated on Zero MOPD
- ▶ Air, Water Inert gas, Oil, Corrosive fluid and steam applicable
- ▶ Applied Seal : FKM, Ruby and Factory consult need for NBR, EPDM

9 Page



WV121S Series

2/2 Way Valve
(Direct Operated)

- ▶ Normally closed
- ▶ Body : Brass, StSt 303, Plastic
- ▶ Coil : S or H
- ▶ Operated on Zero MOPD
- ▶ Air, Water Inert gas, Oil, Corrosive fluid applicable
- ▶ Applied Seal : FKM, NBR, Silicon
- ▶ A miniature, High Performance
- ▶ UL/CE approved for 'S' coil

13 Page



WV131S Series

3/2 Way Valve
(Direct Operated)

- ▶ Normally Closed
- ▶ Body : Brass, StSt 303
- ▶ Coil : S or WS
- ▶ Operated on Zero MOPD
- ▶ Air, Water Inert gas, Oil, Corrosive fluid applicable
- ▶ Applied Seal : FKM, NBR
- ▶ A miniature, High Performance
- ▶ UL/CE approved for 'S' coil

15 Page



221G Series

2/2 Way Valve
(Magnalift)

- ▶ Normally closed
- ▶ Body : Brass
- ▶ 7000 sleeve assembled
- ▶ Coil : All of 7000 sleeve coil available
- ▶ Operated on nearly Zero MOPD
- ▶ Air, Water, Inert gas, Oil and Steam applicable
- ▶ Applied Seal : FKM, NBR, EPDM

17 Page



NKV Series

2/2 Way Valve
(Magnalift)

- ▶ Normally closed
- ▶ Body : Brass
- ▶ 7000 sleeve assembled
- ▶ Coil : All of 7000 sleeve coil available
- ▶ Operated on nearly Zero MOPD
- ▶ Air, Water, Inert gas, Oil and Steam applicable
- ▶ Applied Seal : FKM, NBR, EPDM

21 Page



221S Series

2/2 Way Valve
(Magnalift)

- ▶ Normally closed
- ▶ Body : StSt 316
- ▶ 7000 sleeve assembled
- ▶ Coil : All of 7000 sleeve coil available
- ▶ Operated on nearly Zero MOPD
- ▶ Oil, gas, Steam and corrosive fluid applicapable
- ▶ Applied Seal : FKM, EPDM and NBR with factory consult

25 Page



321G Series

2/2 Way Valve
(Pilot Operated)

- ▶ Normally Closed
- ▶ Body : Brass
- ▶ 7000 sleeve assembled
- ▶ Coil : All of 7000 sleeve coil available
- ▶ A minimum operating pressure is required
- ▶ Air, Water and Steam applicapable
- ▶ Applied Seal : NBR, EPDM and FKM with factory consult

27 Page



321K Series

2/2 Way Valve
(Pilot Operated)

- ▶ Normally Closed
- ▶ Body : Brass
- ▶ 7000 sleeve assembled
- ▶ Coil : All of 7000 sleeve coil available
- ▶ A minimum operating pressure is required
- ▶ Air, Water applicapable
- ▶ Anti-water hammer application
- ▶ Applied Seal : FKM

29 Page



E321H Series

2/2 Way Valve
(Pilot Operated)

- ▶ Normally Closed
- ▶ Body : Brass
- ▶ 7000 sleeve assembled
- ▶ Coil : All of 7000 sleeve coil available
- ▶ A minimum operating pressure is required
- ▶ Dry or Lubricated air, gases and water
- ▶ High pressure application
- ▶ Applied Seal : FKM, NBR

30 Page



708N Series

2/2 Way Valve
(Pilot (Piston) Operated)

- ▶ Normally Closed
- ▶ Body : Brass
- ▶ 7000 sleeve assembled
- ▶ Coil : All of 7000 sleeve coil available
- ▶ A minimum operating pressure is required
- ▶ Steam applicapable in High pressure (8bar) and temperature(180°c)
- ▶ Applied Seal : Teflon

31 Page

Blank Page

2/2 way Direct Operated

Model : 121K/V/F and 122K Series



121K



121V



121F

Features

- General Purpose Solenoid Valve
- 2-Way Direct lift
- Operated on Zero MOPD
- Air, Water, Inert gas, Oil, Corrosive fluid and Steam applicapable.
- Applied Seal : FKM, Ruby, Teflon and Factory consult need for NBR, EPDM

Application

- Oil burner and Boiler
- Welding machines
- Water treatment
- Fume analysers
- Gas analysers
- Distribution of light oils
- measurement and control instruments
- Lubrication system

Specifications

- Body - Brass : 121K/F, 122K
StSt 303 :121V
- Seal - FKM, Ruby, Teflon and Factory consult need for NBR, EPDM
- Sleeve - StSt 303, 7000
- Coil - Refer the Electrical part table on the last page
- Body thread type : NPT, PT available with factory consult

Solenoid Valves



VESSEL MODEL NUMBER	Coil & Housing		PORT SIZE (PF) G Thread	Body Orifice Size (mm)	Flow Factor (L/min)		Maximum Operating Pre. (Kgf/cm ²)		Fluid Temp			Seal disc	Power Consumption (W)	
	Global	Korea			QN	Kv	DC	AC	Gas	Liquid	Oil		DC	AC
121KBG2ER00	-	I-1K	1/4"	1.2	50	0.85	43	100	130	130	130	RUBY	14	10
	2995-481865	-					36	80	100	100	100		9	8
	4270-481000	H-1F					43	100	130	130	130		8	8
	4270-486265	H-1H					75	100	120	120	120		14	14
121KBG2GV00	-	I-1K		1.5	80	1.5	20	20	120	120	120	FKM	14	10
	2995-481865	-					20	20	100	100	100		9	8
	4270-481000	H-1F					20	20	120	120	120		8	8
121KBG2GR00	-	I-1K		1.5	80	1.5	30	60	130	130	130	RUBY	14	10
	2995-481865	-					25	60	100	100	100		9	8
	4270-481000	H-1F					30	75	130	130	130		8	8
	4270-486265	H-1H					55	100	120	120	120		14	14
121KBG2GT00	-	I-1K		1.5	80	1.5	30	60	120	120	120	PTFE	14	10
	2995-481865	-					25	60	100	100	100		9	8
	4270-481000	H-1F					30	70	120	120	120		8	8
	4270-486265	H-1H					55	70	120	120	120		14	14
121KBG2JV00	-	I-1K		2.0	140	2.5	16	16	120	120	120	FKM	14	10
	2995-481865	-					12	16	100	100	100		9	8
121KBG2JR00	-	H-1F		2.0	140	2.5	16	16	120	120	120	RUBY	8	8
	2995-481865	-					18	40	130	130	130		14	10
	4270-481000	H-1F					15	40	100	100	100		9	8
	4270-486265	H-1H	18				48	130	130	130	8		8	
121KBG2LT00	-	I-1K	2.5	220	3.5	32	70	120	120	120	PTFE	14	14	
	2995-481865	-				12	28	100	100	100		9	8	
	4270-481000	H-1F				12	34	120	120	120		8	8	
	4270-486265	H-1H				22	50	120	120	120		14	10	
121KBG2LV00	-	I-1K	2.5	220	3.5	9	14	120	120	120	FKM	14	10	
	2995-481865	-				7	14	100	100	100		9	8	
	4270-481000	H-1F				9	14	120	120	120		8	8	
	4270-486265	H-1H				14	14	120	120	120		14	14	
121KBG2LVM0 (Manual override)	-	I-1K	2.5	220	3.5	9	14	120	120	120	FKM	14	10	
	2995-481865	-				7	14	100	100	100		9	8	
	4270-481000	H-1F				9	14	120	120	120		8	8	
	4270-486265	H-1H				14	14	120	120	120		14	14	
121KBG2LR00	-	I-1K	2.5	220	3.5	12	28	130	130	130	RUBY	14	10	
	2995-481865	-				10	28	100	100	100		9	8	
	4270-481000	H-1F				12	34	130	130	130		8	8	
	4270-486265	H-1H				22	50	120	120	120		14	14	
121KBG2NV00	-	I-1K	3.0	315	4.5	8.5	10	120	120	120	FKM	14	10	
	2995-481865	-				7	10	100	100	100		9	8	
	4270-481000	H-1F				8.5	10	120	120	120		8	8	
	4270-486265	H-1H				10	10	120	120	120		14	14	
121KBG2NVM0 (Manual override)	-	I-1K	3.0	315	4.5	8.5	10	120	120	120	FKM	14	10	
	2995-481865	-				7	10	100	100	100		9	8	
	4270-481000	H-1F				8.5	10	120	120	120		8	8	
	4270-486265	H-1H				10	10	120	120	120		14	14	
121KBG2NR00	-	I-1K	3.0	315	4.5	8.5	20	130	130	130	RUBY	14	10	
	2995-481865	-				7	20	100	100	100		9	8	
	4270-481000	H-1F				8.5	25	130	130	130		8	8	
	4270-486265	H-1H				15	36	120	120	120		14	14	
121KBG2NT00	-	I-1K	3.0	315	4.5	8.5	20	120	120	120	PTFE	14	10	
	2995-481865	-				7	20	100	100	100		9	8	
	4270-481000	H-1F				8.5	25	120	120	120		8	8	
	4270-486265	H-1H				15	36	120	120	120		14	14	
121KBG2QV00	-	I-1K	4.0	480	7.5	5	10	120	120	120	FKM	14	10	
	2995-481865	-				4	10	100	100	100		9	8	
	4270-481000	H-1F				5	10	120	120	120		8	8	
	4270-486265	H-1H				10	10	120	120	120		14	14	
121KBG2QVM0 (Manual Override)	-	I-1K	4.0	480	7.5	5	10	120	120	120	FKM	14	10	
	2995-481865	-				4	10	100	100	100		9	8	
	4270-481000	H-1F				5	10	120	120	120		8	8	
	4270-486265	H-1H				10	10	120	120	120		14	14	
121KBG2SV00	-	I-1K	5.0	750	11	2.8	7	120	120	120	FKM	14	10	
	2995-481865	-				2	7	100	100	100		9	8	
	4270-481000	H-1F				2.8	7	120	120	120		8	8	
	4270-486265	H-1H				5	7	120	120	120		14	14	
121KBG2SVM0 (Manual Override)	-	I-1K	5.0	750	11	2.8	7	120	120	120	FKM	14	10	
	2995-481865	-				2	7	100	100	100		9	8	
	4270-481000	H-1F				2.8	7	120	120	120		8	8	
	4270-486265	H-1H				5	7	120	120	120		14	14	
121WG2GV00	-	I-1K	1.5	80	1.5	20	20	100	100	100	FKM	14	10	
	2995-481865	-				20	20	120	120	120		9	8	
	4270-481000	H-1F				20	20	120	120	120		8	8	
121WG2JV00	-	I-1K	2.0	140	2.5	16	16	100	100	100	FKM	14	10	
	2995-481865	-				12	16	100	100	100		8	8	
121WG2LV00	-	H-1F	2.0	140	2.5	16	16	120	120	120	FKM	8	8	
	2995-481865	-				9	14	120	120	120		14	10	
	4270-481000	H-1F				7	14	100	100	100		9	8	
	4270-486265	H-1H				9	14	120	120	120		8	8	

Solenoid Valves

121K/122K Series



VESSEL MODEL NUMBER	Coil & Housing		PORT SIZE (PF)	Body Orifice Size (mm)	Flow Factor (L/min)		Maximum Operating Pre. (Kgf/cm ²)		Fluid Temp			Seal disc	Power Consumption (W)		
	Global	Korea			G Thread	QN	Kv	DC	AC	Gas	Liquid		Oil	DC	AC
121WG2NV00	-	I-1K	1/4"	3.0	315	4.5	8.5	10	120	120	120	FKM	14	10	
	2995-481865	-					7	10	100	100	100		9	8	
	4270-481000	H-1F					8.5	10	120	120	120		8	8	
	4270-486265	H-1H					10	10	120	120	120		14	14	
121WG2QV00	-	I-1K		4.0	480	7.5	5	10	120	120	120	FKM	14	10	
	2995-481865	-					4	10	100	100	100		9	8	
	4270-481000	H-1F					5	10	120	120	120		8	8	
	4270-486265	H-1H					10	10	120	120	120		14	14	
121WG2SV00	-	I-1K		5.0	750	11	2.8	7	120	120	120	FKM	14	10	
	2995-481865	-					2	7	100	100	100		9	8	
	4270-481000	H-1F					2.8	7	120	120	120		8	8	
	4270-486265	H-1H					5	7	120	120	120		14	14	
121FBF4GV00	-	I-1K		SB	1.5	80	1.5	20	20	120	120	120	FKM	14	10
	2995-481865	-						20	20	100	100	100		9	8
	4270-481000	H-1F						20	20	120	120	120		8	8
121FBF4GR00	-	I-1K			1.5	80	1.5	30	60	130	130	130	RUBY	14	10
	2995-481865	-	25					60	100	100	100	9		8	
	4270-481000	H-1F	30					75	130	130	130	8		8	
	4270-486265	H-1H	55					100	120	120	120	14		14	
121FBF4GT00	-	I-1K	1.5		80	1.5	30	60	120	120	120	PTFE	14	10	
	2995-481865	-					25	60	100	100	100		9	8	
	4270-481000	H-1F					30	70	120	120	120		8	8	
	4270-486265	H-1H					55	70	120	120	120		14	14	
121FBF4JV00	-	I-1K	2.0		140	2.5	16	16	120	120	120	FKM	14	10	
	2995-481865	-					12	16	100	100	100		8	8	
	-	H-1F					16	16	120	120	120		14	10	
121FBF4JR00	-	I-1K	2.0		140	2.5	18	40	130	130	130	RUBY	14	10	
	2995-481865	-					15	40	100	100	100		9	8	
	4270-481000	H-1F					18	48	130	130	130		8	8	
	4270-486265	H-1H					32	70	120	120	120		14	14	
121FBF4JT00	-	I-1K	2.0		140	2.5	18	40	120	120	120	PTFE	14	10	
	2995-481865	-					15	40	100	100	100		9	8	
	4270-481000	H-1F					18	48	120	120	120		8	8	
	4270-486265	H-1H					32	70	120	120	120		14	14	
121FBF4LV00	-	I-1K	2.5		220	3.5	9	14	120	120	120	FKM	14	10	
	2995-481865	-					7	14	100	100	100		9	8	
	4270-481000	H-1F		9			14	120	120	120	8		8		
	4270-486265	H-1H		14			14	120	120	120	14		14		
121FBF4LR00	-	I-1K	2.5	220	3.5	12	28	130	130	130	RUBY	14	10		
	2995-481865	-				10	28	100	100	100		9	8		
	4270-481000	H-1F				12	34	130	130	130		8	8		
	4270-486265	H-1H				22	50	120	120	120		14	14		
121FBF4LT00	-	I-1K	2.5	220	3.5	12	28	120	120	120	PTFE	14	10		
	2995-481865	-				10	28	100	100	100		9	8		
	4270-481000	H-1F				12	34	120	120	120		8	8		
	4270-486265	H-1H				22	50	120	120	120		14	14		
121FBF4NV00	-	I-1K	3.0	315	4.5	8.5	10	120	120	120	FKM	14	10		
	2995-481865	-				7	10	100	100	100		9	8		
	4270-481000	H-1F				8.5	10	120	120	120		8	8		
	4270-486265	H-1H				10	10	120	120	120		14	14		
121FBF4NR00	-	I-1K	3.0	315	4.5	8.5	20	130	130	130	RUBY	14	10		
	2995-481865	-				7	20	100	100	100		9	8		
	4270-481000	H-1F				8.5	25	130	130	130		8	8		
	4270-486265	H-1H				15	36	120	120	120		14	14		
121FBF4NT00	-	I-1K	3.0	315	4.5	8.5	20	120	120	120	PTFE	14	10		
	2995-481865	-				7	20	100	100	100		9	8		
	4270-481000	H-1F				8.5	25	120	120	120		8	8		
	4270-486265	H-1H				15	36	120	120	120		14	14		
121FBF4QV00	-	I-1K	4.0	315	4.5	8.5	10	120	120	120	FKM	14	10		
	2995-481865	-				7	10	100	100	100		9	8		
	4270-481000	H-1F				8.5	10	120	120	120		8	8		
	4270-486265	H-1H				10	10	120	120	120		14	14		
121KBR3QVWV(*)	-	I-1K	PT3/8"	4.0	480	7.5	7	10	70	70	70	FKM	14	10	
	2995-481865	-					4	10	70	70	70		9	8	
	-	H-1H					10	10	100	100	100		8	8	
121KBR3SVWV(*)	-	I-1K		5.0	750	11	5	7	70	70	70	FKM	14	10	
	2995-481865	-					2	7	70	70	70		9	8	
	-	H-1H					5	7	100	100	100		8	8	

Solenoid Valves



VESSEL MODEL NUMBER	Coil & Housing		Pipe Size (PF)	Body Orifice Size (mm)	Flow Factor (L/min)		Maximum Operating Pre. (Kgf/cm ²)		Fluid Temp (°C)	Seal disc	Power Consumption (W)	
	Global	Korea	G Thread	QN	Kv	DC	AC	DC			AC	
122K63	4270-486265	H-1H	1/4"	3.2	220	4	-	30	120	RUBY	14	14

Note : (*) are for korean market only.

* Connection Thread type : Available NPT, PT. Need consultation

* Pipe size : 1/8" available, need consultation

All K/V/F series numbering system

2	3	4	5	6	7	8	9	10	11&12
Actuation	Functional Type	Flow Pattern	Family (Series)	Body Material	Connection	Pipe Size	Orifice code	Seal Material	Options
1 Direct	2 2-way	2-way	1	A Al	A SAE	0 Sub-base	A	C CR	00 No Option
		1 Normally Closed	2	B Brass	E NPT Male	1 1/8"	B	E EPDM	A2 Silver shading
2 Direct Lift	3 3-way	2 Normally Open	4	L Noryl	F Flange	2 1/4"	C	F PCTFE	Ring
		3 Multi purpose	5	R 316SS	G BSP	3 3/8"	D	(Kel F)	J1 Exhaust
3 Pilot operated	4 4-way	9 Normally Open	6	S 430SS	parallel	4 1/2"	E	1.0mm K PFFM	Adaptor Nut
		Pressure in body	8	T Teflon	R BSP	5 3/4"	F	(Kalrez)	M0 Manual override
4 Pilot operated		Pressure out sleeve	9	V 303SS	Taper	6 1"	G	1.5mm L Nylon	W0 Anti-water
			F		J Fitting	7 1-1/4"	J	2.0mm M Metal	Hammer
External supply		3-way	G		N NPT Female	8 1-1/2"	L	2.5mm N NBR	RF For refrigeration
		1 Normally Closed	H		(National Pipe thread)	9 2"	N	3.0mm R Ruby	SO STEAM
5 Remote operated	2 Pressure operated	2 Normally Open	K			C 2-1/2"	Q	4.0mm T PTFE	WV Replaced WV
		3 Multi purpose	R			D 3"	S	5.0mm (Teflon)	
		8 Diverting	V				U	6.0mm V FKM	
6 Manual operated		9 Normally Open					1-9	(Viton)	
		Pressure out body							
		Pressure in sleeve							
		4-way							
		1 2-position							
		2 3-position							

EX)

VESSEL	HOUSING NUT & WASHER	COIL VOLTAGE	REMARK
121KBG2LV00	- 4270	- 481000C2	STD / ALL
131VVG2LV00	- H	- 1F - 4K	KOR ONLY
	- I	- 1K - C2	ALL

3/2 Way Direct Operated

Model : 131K/V/F, 133K/F Series



131/133K



131/133V



131F



131/133K.WV

Features

- General Purpose Solenoid Valve
- 3-Way Direct lift
- Operated on Zero MOPD
- Air, Water, Inert gas, Oil, Corrosive fluid and Steam applicable.
- Applied Seal : FKM, Ruby and Factory consult need for NBR, EPDM

Application

- Air Compressores
- Diesel oil burners
- Water treatment plants
- Vending machine
- Packing machine

Specifications

- Body - Brass : 131K/F, 133K
StSt 303 : 131V
- Seal - FKM, Ruby, PTFE and NBR with factory consult
- Sleeve - StSt 303, 7000
- Coil - Refer the Electrical part table on the last page
- Body thread type : NPT, PT available with factory consult

Solenoid Valves

NORMALLY CLOSED 

VESSEL MODEL NUMBER	Coil & Housing		PORT SIZE (PF) G Thread	Body Orifice Size (mm)	Flow Factor (L/min)		Min Operating Pre.(Kgf/Cm ²)	Maximum Operating Pre.(Kgf/cm ²)		Seal disc	Fluid Temp(°C)			Power Consumption (W)	
	Global	Korea			QN	Kv		DC	AC		Gas	Liquid	Oil	DC	AC
131KBG2BT00	4270-481000	H-1F	1/4"	0.8	-	0.3	0	40	40	PTFE	-	75	75	8	8
131KBG2BR00	4270-481000	H-1F		0.8	-	0.3	0	-	75	RUBY	-	130	-	8	8
	4270-486265	H-1F		75	-	-	-	-	-		-	140	-	14	14
131KBG2GV00	-	I-1K		1.5	80	1.5	0	15	15	FKM	100	100	100	14	10
	4270-481000	H-1F						15	15		120	120	120	8	8
	2995-481865							15	15		100	100	100	9	8
131KBG2GVMO (Manual override)	-	I-1K		1.5	80	1.5	0	15	15	FKM	100	100	100	14	10
	4270-481000	H-1F						15	15		120	120	120	8	8
	2995-481865							15	15		100	100	100	9	8
131KBG2JV00	-	I-1K		2.0	140	2.5	0	10	10	FKM	100	100	100	14	10
	4270-481000	H-1F						10	10		120	120	120	8	8
	2995-481865							10	10		100	100	100	9	8
131KBG2JVM0 (Manual override)	-	I-1K		2.0	140	2.5	0	10	10	FKM	100	100	100	14	10
	4270-481000	H-1F						10	10		120	120	120	8	8
	2995-481865							10	10		100	100	100	9	8
131KBG2LV00	-	I-1K		2.5	220	3.5	0	7	7	FKM	100	100	100	14	10
	4270-481000	H-1F						7	7		120	120	120	8	8
	2995-481865							7	7		100	100	100	9	8
131KBG2LVM0 (Manual override)	-	I-1K		2.5	220	3.5	0	7	7	FKM	100	100	100	14	10
	4270-481000	H-1F						7	7		120	120	120	8	8
	2995-481865							7	7		100	100	100	9	8
131VVG2GV00	-	I-1K		1.5	80	1.5	0	15	15	FKM	100	100	100	14	10
	4270-481000	H-1F						15	15		120	120	120	8	8
	2995-481865							15	15		100	100	100	9	8
131VVG2JV00	-	I-1K	2.0	140	2.5	0	10	10	FKM	100	100	100	14	10	
	4270-481000	H-1F					10	10		120	120	120	8	8	
	2995-481865						10	10		100	100	100	9	8	
131VVG2LV00	-	I-1K	2.5	220	3.5	0	7	7	FKM	100	100	100	14	10	
	4270-481000	H-1F					7	7		120	120	120	8	8	
	2995-481865						7	7		100	100	100	9	8	
131FBG4GV00	-	I-1K	1.5	80	1.5	0	15	15	FKM	100	100	100	14	10	
	4270-481000	H-1F					15	15		120	120	120	8	8	
	2995-481865						15	15		100	100	100	9	8	
131FBG4GVMO (Manual override)	-	I-1K	1.5	80	1.5	0	15	15	FKM	100	100	100	14	10	
	4270-481000	H-1F					15	15		120	120	120	8	8	
	2995-481865						15	15		100	100	100	9	8	
131FBG4JV00	-	I-1K	2.0	140	2.5	0	10	10	FKM	100	100	100	14	10	
	4270-481000	H-1F					10	10		120	120	120	8	8	
	2995-481865						10	10		100	100	100	9	8	
131FBG4JVM0 (Manual override)	-	I-1K	2.0	140	2.5	0	10	10	FKM	100	100	100	14	10	
	4270-481000	H-1F					10	10		120	120	120	8	8	
	2995-481865						10	10		100	100	100	9	8	
131FBG4LV00	-	I-1K	2.5	220	3.5	0	7	7	FKM	100	100	100	14	10	
	4270-481000	H-1F					7	7		120	120	120	8	8	
	2995-481865						7	7		100	100	100	9	8	
131FBG4LVM0 (Manual override)	-	I-1K	2.5	220	3.5	0	7	7	FKM	100	100	100	14	10	
	4270-481000	H-1F					7	7		120	120	120	8	8	
	2995-481865						7	7		100	100	100	9	8	

Solenoid Valves

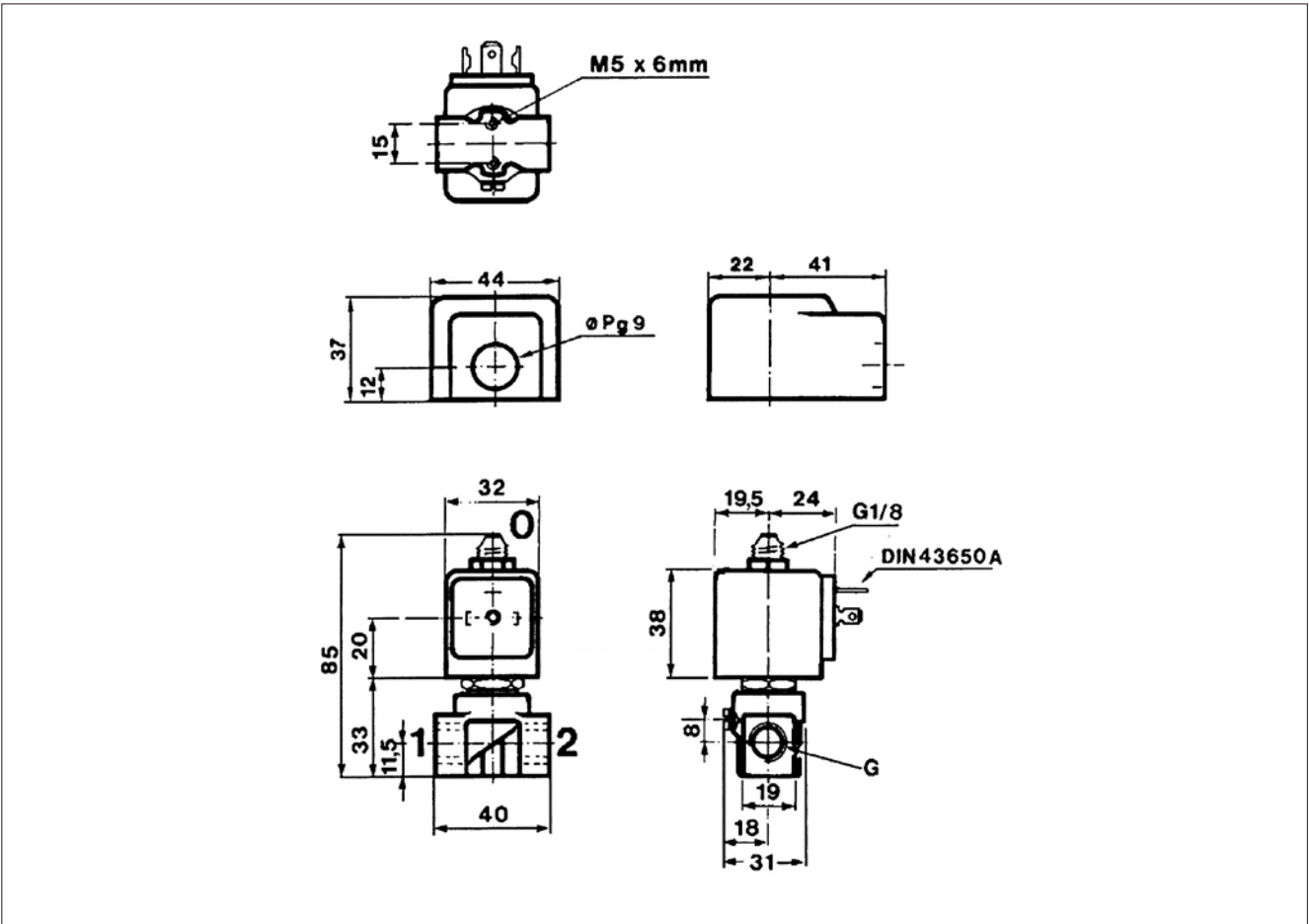
131K/133K Series



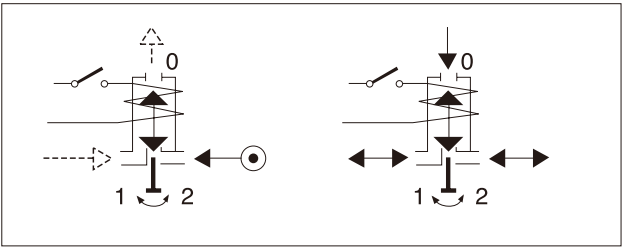
VESSEL MODEL NUMBER	Coil & Housing		PORT SIZE (PF)	Body Orifice Size (mm)	Flow Factor (L/min)		Min Operating Pre. (Kgf/Cm ²)	Maximum Operating Pre. (Kgf/cm ²)		Seal disc	Fluid Temp (°C)			Power Consumption (W)		
	Global	Korea			G Thread	QN		Kv	DC		AC	Gas	Liquid	Oil	DC	AC
133KBG2GV00		I-1K	1/4"	1.5	80	1.5	0	10	10	FKM	100	100	100	14	10	
	4270-481000	H-1F						10	10		120	120	120	8	8	
	2995-481865							10	10		100	100	100	9	8	
133KBG2GVM0 (Manual override)		I-1K		1.5	80	1.5	0	10	10	FKM	100	100	100	14	10	
	4270-481000	H-1F						10	10		120	120	120	8	8	
	2995-481865							10	10		100	100	100	9	8	
133KBG2JV00		I-1K		2.0	140	2.5	0	7	7	FKM	100	100	100	14	10	
	4270-481000	H-1F						7	7		120	120	120	8	8	
	2995-481865							7	7		100	100	100	9	8	
133KBG2JVM0 (Manual override)		I-1K		2.0	140	2.5	0	7	7	FKM	100	100	100	14	10	
	4270-481000	H-1F						7	7		120	120	120	8	8	
	2995-481865							7	7		100	100	100	9	8	
133KBG2LV00		I-1K		2.5	220	3.5	0	4	4	FKM	100	100	100	14	10	
	4270-481000	H-1F						4	4		120	120	120	8	8	
	2995-481865							4	4		100	100	100	9	8	
133KBG2LVM0 (Manual override)		I-1K	2.5	220	3.5	0	4	4	FKM	100	100	100	14	10		
	4270-481000	H-1F					4	4		120	120	120	8	8		
	2995-481865						4	4		100	100	100	9	8		
133VVG2GV00		I-1K	SB	1.5	80	1.5	0	10	10	FKM	100	100	100	14	10	
	4270-481000	H-1F						10	10		120	120	120	8	8	
	2995-481865							10	10		100	100	100	9	8	
133VVG2JV00		I-1K		2.0	140	2.5	0	7	7	FKM	100	100	100	14	10	
	4270-481000	H-1F						7	7		120	120	120	8	8	
	2995-481865							7	7		100	100	100	9	8	
133VVG2LVM0 (Manual override)		I-1K		2.5	220	3.5	0	4	4	FKM	100	100	100	14	10	
	4270-481000	H-1F						4	4		120	120	120	8	8	
	2995-481865							4	4		100	100	100	9	8	
133FBG4GV00		I-1K		SB	1.5	80	1.5	0	10	10	FKM	100	100	100	14	10
	4270-481000	H-1F							10	10		120	120	120	8	8
	2995-481865								10	10		100	100	100	9	8
133FBG4GVM0 (Manual override)		I-1K			1.5	80	1.5	0	10	10	FKM	100	100	100	14	10
	4270-481000	H-1F							10	10		120	120	120	8	8
	2995-481865								10	10		100	100	100	9	8
133FBG4JV00		I-1K	2.0		140	2.5	0	7	7	FKM	100	100	100	14	10	
	4270-481000	H-1F						7	7		120	120	120	8	8	
	2995-481865							7	7		100	100	100	9	8	
133FBG4JVM0 (Manual override)		I-1K	2.0		140	2.5	0	7	7	FKM	100	100	100	14	10	
	4270-481000	H-1F						7	7		120	120	120	8	8	
	2995-481865							7	7		100	100	100	9	8	
133FBG4LV00		I-1K	2.5		220	3.5	0	4	4	FKM	100	100	100	14	10	
	4270-481000	H-1F						4	4		120	120	120	8	8	
	2995-481865							4	4		100	100	100	9	8	
133FBG4LVM0 (Manual override)		I-1K	2.5	220	3.5	0	4	4	FKM	100	100	100	14	10		
	4270-481000	H-1F					4	4		120	120	120	8	8		
	2995-481865						4	4		100	100	100	9	8		

Dimensions

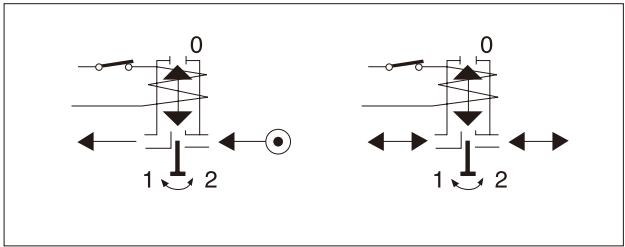
131K, 133K Series



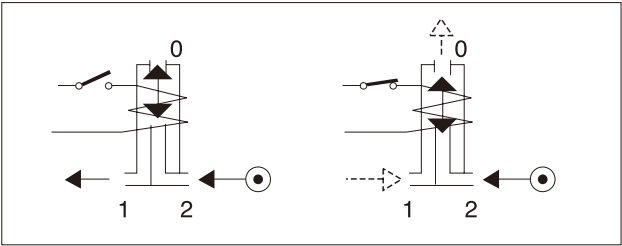
Valve Code Reference



Normal Close



Normal Open



Universal

Solenoid Valves

2/2 Way Valve, Direct Operated

Model : WV121S Series



Brass body with S coil



StSt body with S coil



Brass body with H coil



StSt body with H coil



Plastic body with S coil

Features

- Normally closed
- Body : Brass, StSt 303, Plastic
- Coil : S or H
- Operated on Zero MOPD
- Air, Water Inert gas, Oil, Corrosive fluid applicapable
- Applied Seal : FKM, NBR, Silicon
- A miniature, High Performance
- UL/CE approved for 'S' coil
- Body thread type : NPT, PF available with factory consult

Specifications

- Body - Brass, StSt 303
- Seal - FKM and NBR with factory consult
- Sleeve - StSt 303, 7000
- Coil - Refer the Electrical part table on the last page
- Long life cycle (1 Million)
- Manifold configurations
- Standard FKM seal
- UL & CE components recognized

Valve body numbering

Valve Body	Port & Body	Orifice Size (mm)	Flow Factor (Kv)	Maximum Operating Pressure(kgf/cm ²)		Fluid Temp °C
				DC	AC	
WW121S221GV	1/8 inch, PT, Brass	1.6	1.3	10	15	75
WW121S221JV		2.0	1.9	7	10	75
WW121S221LV		2.5	2.8	5	7	75
WW121S221NV		3.0	3.2	4	5	75
WW121S221QV		4.0	3.5	2	4	75
WW121S222GV	1/4 inch, PT, Brass	1.6	1.3	10	15	75
WW121S222JV		2.0	1.9	7	10	75
WW121S222LV		2.5	2.8	5	7	75
WW121S222NV		3.0	3.2	4	5	75
WW121S222QV		4.0	3.5	2	4	75
WW121S121GV	1/8 inch, PT, St steel	1.6	1.3	10	15	75
WW121S121JV		2.0	1.9	7	10	75
WW121S121LV		2.5	2.8	5	7	75
WW121S121NV		3.0	3.2	4	5	75
WW121S121QV		4.0	3.5	2	4	75
WW121S122GV	1/4 inch, PT, St Steel	1.6	1.3	10	15	75
WW121S122JV		2.0	1.9	7	10	75
WW121S122LV		2.5	2.8	5	7	75
WW121S122NV		3.0	3.2	4	5	75
WW121S122QV		4.0	3.5	2	4	75
121S432KS	1/4 Inch, NPT, Plastic	2.5	2.8	5	7	75

Coil numbering

You can add following coil umber to valve body part number

- 1) I-1S Coil : 5 different voltage available
 I-1S-P0 : AC24/50~60 (5W)
 I-1S-P3 : AC110/50,AC120/60 (5W)
 I-1S-Q3 : AC220/50,AC240/60 (5.5W)
 I-1S-C1 : DC12V (6W)
 I-1S-C2 : DC24V (6W)
- 2) H-WS Coil : 4 different voltage available
 H-WS-B5 : AC110/60 (8W)
 H-WS-B7 : AC220/60 (8W)
 H-WS-C1 : DC12V (9W)
 H-WS-C2 : DC24V (9W)

Ordering example

If you want brass body, 1/8 inch pipe size with PT connection, I coil with AC240V/50Hz, then, you can order as follows.

Factory consult need for NPT, PF thread

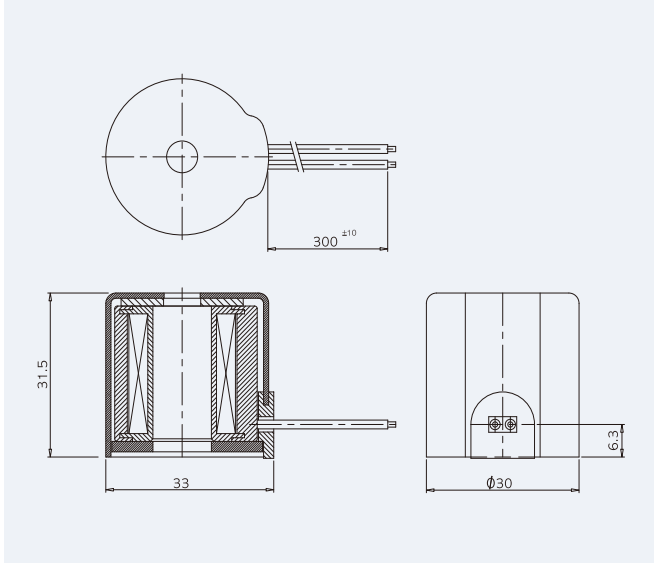
"WV121S221LV I-1S-Q3"

Solenoid Valves

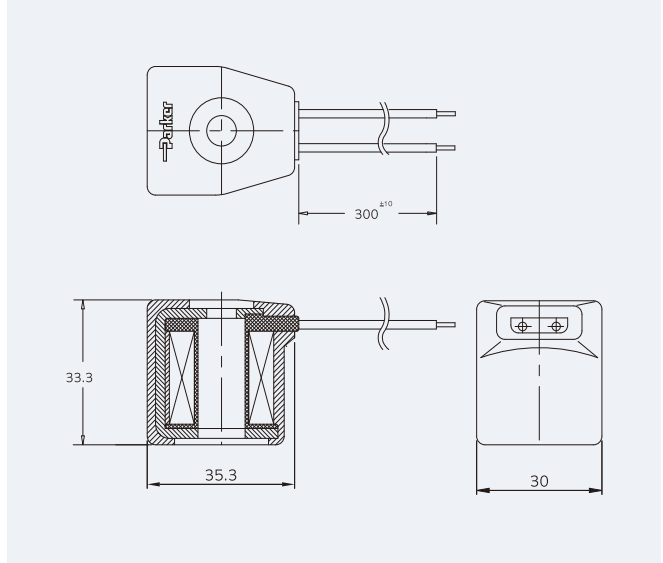
Drawing

(Unit : mm)

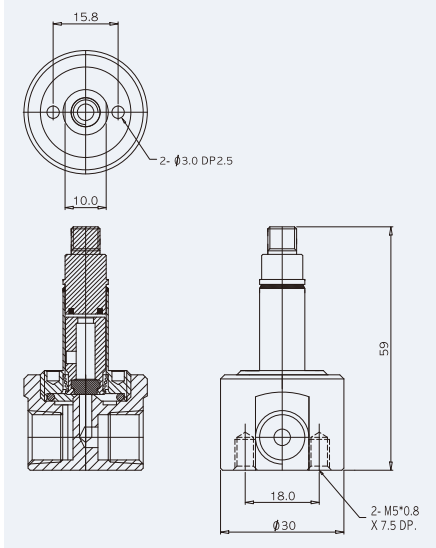
H-WS Coil Assembly



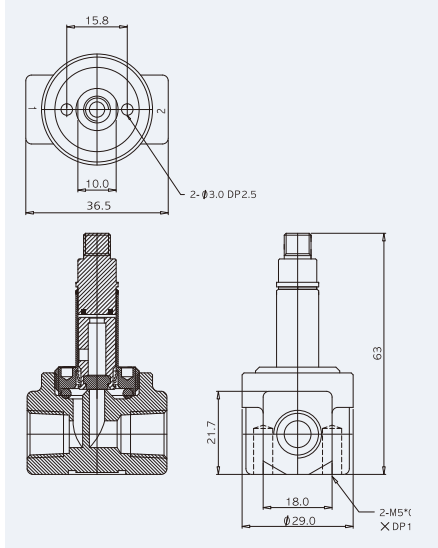
I-1S Coil Assembly



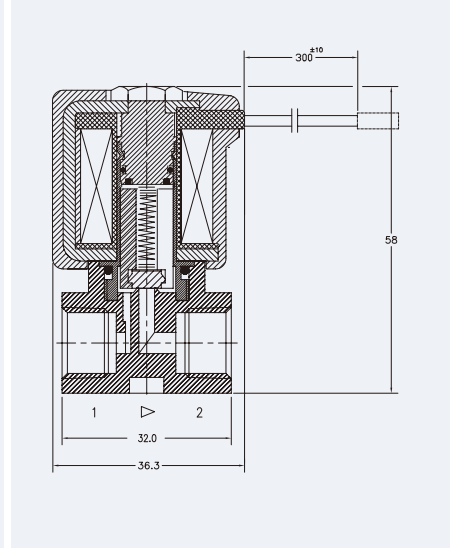
St. steel 303 Body Assembly



Brass Body Assembly



Plastic Body Assembly



3/2 Way Direct Operated

Model : WV131S Series



Brass body with S coil



StSt body with S coil

Features

- Normally Closed
- Body : Brass, StSt 303
- Coil : S or H
- Operated on Zero MOPD
- Air, Water Inert gas, Oil, Corrosive fluid applicapable
- Applied Seal : FKM, NBR
- A miniature, High Performance
- UL/CE approved for 'S' coil
- Body thread type : NPT, PF available with factory consult

Specifications

- Body -Brass, StSt 303
- Seal -FKM and NBR with factory consult
- Sleeve -StSt 303, 7000
- Coil -Refer the Electrical part table on the last page

Response Time

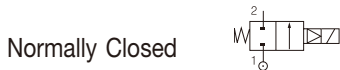
- 25 to 40 milliseconds

Duty Cycle

- Continuous Duty

Mounting

- For direct pipe mounting or 2-M 5 * 0.8 mm screws



VESSEL MODEL NUMBER	COIL & HOUSING	Pipe Size	Body Kv Factor	Sleeve Orifice Size (mm)	Body Orifice Size (mm)	Maximum Operating Pressure(Kg/cm ²)		Seal disc	Fluid Temp.
						DC	AC		
WV131S222GV	I-1S-XX	PT 1/4	1.3	1.6	1.6	6	6	FKM	75
	H-WS-XX								
WV131S222JV	I-1S-XX		1.9	1.6	2.0	4.5	4.5	FKM	75
	H-WS-XX								
WV131S222LV	I-1S-XX		2.8	1.6	2.5	3	3	FKM	75
	H-WS-XX								

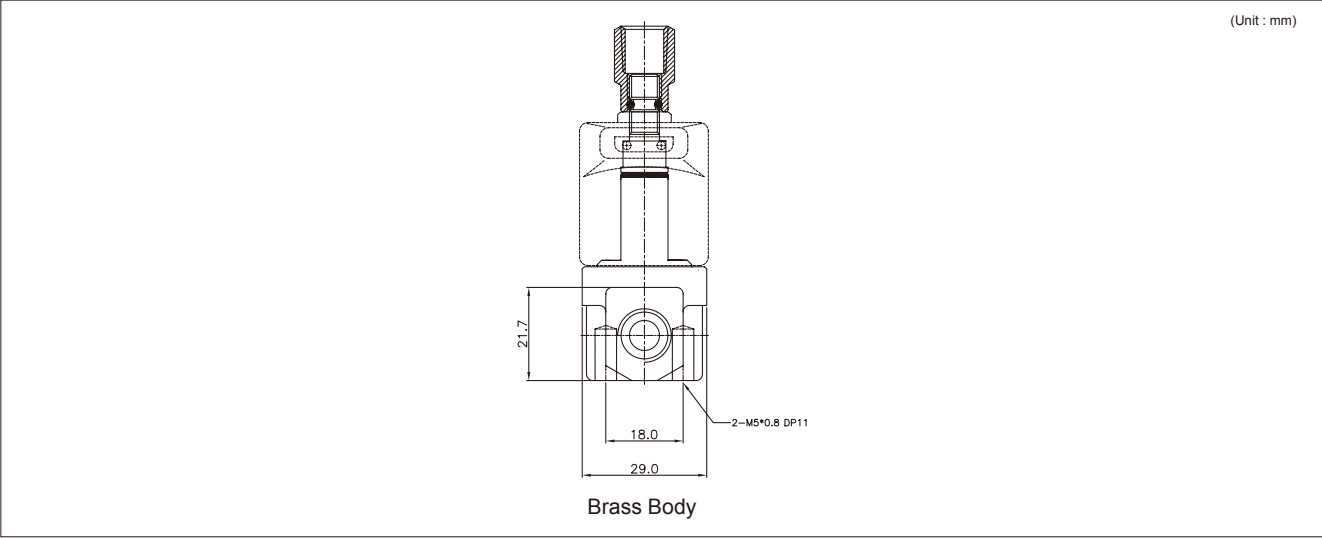
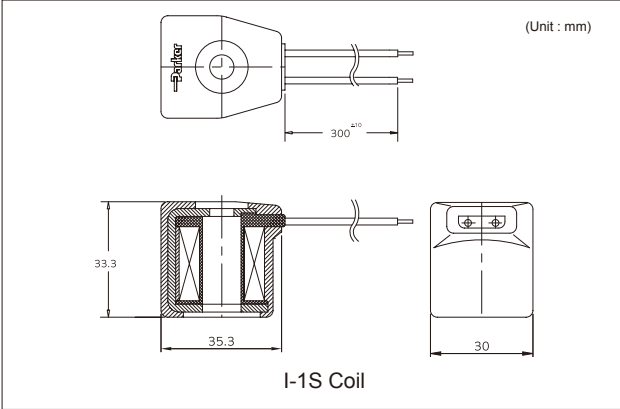
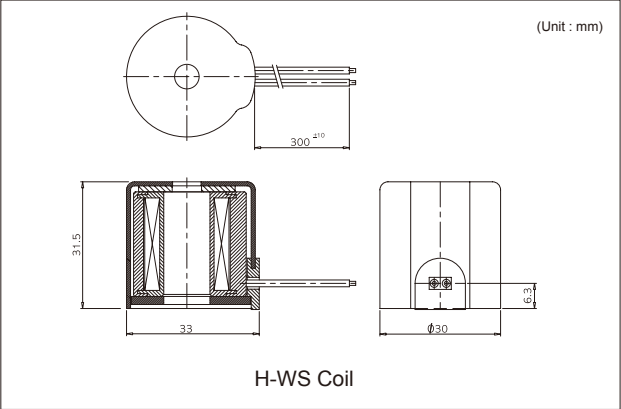
* Connection Thread type : Available NPT, PT. Need consultation

* Pipe size : 1/8" available, need consultation

* StSt 303 body available with factory counsult

Solenoid Valves

Drawing



WV121/131 Series Numbering system

1		2		3		4	5		6		7		8		9		10	11	
Actuation		Functional Type		Flow Pattern		Family (Series)	Body Material		Connection		Pipe Size		Orifice code		Seal Material		Coil type	Voltage/Hz	
1	Direct	2	2-way	1	N.C	S	1	SUS303	1	PF	1	1/8"	G	1.6mm	N	NBR	I-1S	P0	AC24/50~60
		3	3-way	2	N.O		2	Brass	2	PT	2	1/4"	J	2.0mm	E	EPDM		P3	AC110/50,AC120/60
				3	MULTI				3	NPT			L	2.5mm	V	VITON (FKM)		Q3	AC220/50,AC240/60
				9	Pressure out the sleeve								N	3.0mm	C	CR		C1	DC12V
													Q	4.0mm				C2	DC24V
																	H-WS	P0	AC24/50~60
																		B5	AC110/60
																		B7	AC220/60
																		C1	DC12V
																		C2	DC24V

2/2Way Magnalift

Model : 221G Series



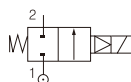
Features

- Normally closed
- Body : Brass
- 7000 sleeve assembled
- Coil : All of 7000 sleeve coil available
- Operated on nearly Zero MOPD
- Air, Water, Inert gas, Oil and Steam applicapable
- Applied Seal : FKM, NBR, EPDM
- Body thread type : NPT, PT available with factory consult

Application

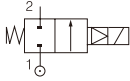
- Thermohydraulic system • Autoclaves
- Oil burner, Bolier • Molding machines
- Steam generators • Sterilisation system
- Industrial washing machines
- Washing system • Boiling system
- Cooling of machine tools • Hospital equipment

Normally Closed, Water, Air, Gas, light oil



REFERENCE NO.				PORT SIZE (PF) G Thread	ORIFICE (mm)	FLOW (L / min)			ADMISSIBLE DIFF. PRESSURE (BAR)			MAX. FLUID TEMP.(°C)			SEAL	Power (W)		
VESSEL NO.	HOUSING	COIL				Liquids kv	Gases Qmax	Gases Qn	Min	Max		Gas	Liquids	Oil		DC	AC	
		Gobal	Korea							DC	AC							
221G13	I	-	1K	3/8"	15	65	65	4500	0	-	16	100	75	100	NBR	14	10	
	2995	481865	-							-	16	100	75	100		9	8	
	4270	481000	-							-	16	100	75	100		8	8	
	4270	486265	-							-	7	-	100	75		100	14	14
	H	-	1F							-	16	100	75	100		8	8	
	H	-	1H							-	7	-	100	75		100	14	14
221G23	I	-	1K	3/8"	15	65	65	4500	0	-	16	100	-	100	FKM	14	10	
	2995	481865	-							-	16	100	-	100		9	8	
	4270	481000	-							-	16	120	-	120		8	8	
	4270	486265	-							-	7	20	120	-		140	14	10
	H	-	1F							-	16	120	-	120		8	8	
	H	-	1H							-	7	20	120	-		140	14	10
221G15	I	-	1K	1/2"	15	65	65	4500	0	-	16	100	75	100	NBR	14	10	
	2995	481865	-							-	16	100	75	100		9	8	
	4270	481000	-							-	16	100	75	100		8	8	
	4270	486265	-							-	7	-	100	75		100	14	14
	H	-	1F							-	16	100	75	100		8	8	
	H	-	1H							-	7	-	100	75		100	14	14
221G25	I	-	1K	1/2"	15	65	65	4500	0	-	16	100	-	100	FKM	14	10	
	2995	481865	-							-	16	100	-	100		9	8	
	4270	481000	-							-	16	120	-	120		8	8	
	4270	486265	-							-	7	20	120	-		140	14	10
	H	-	1F							-	16	120	-	120		8	8	
	H	-	1H							-	7	20	120	-		140	14	10
221G16	I	-	1K	3/4"	15	80	80	6000	0	-	16	100	75	100	NBR	14	10	
	2995	481865	-							-	16	100	75	100		9	8	
	4270	481000	-							-	16	100	75	100		8	8	
	4270	486265	-							-	7	-	100	75		100	14	14
	H	-	1F							-	16	100	75	100		8	8	
	H	-	1H							-	7	-	100	75		100	14	14
221G26	I	-	1K	3/4"	15	80	80	6000	0	-	16	100	-	100	FKM	14	10	
	2995	481865	-							-	16	100	-	100		9	8	
	4270	481000	-							-	16	120	-	120		8	8	
	4270	486265	-							-	7	20	120	-		140	14	10
	H	-	1F							-	16	120	-	120		8	8	
	H	-	1H							-	7	20	120	-		140	14	10
221G17	I	-	1K	1"	15	80	80	6000	0	-	16	100	75	100	NBR	14	10	
	2995	481865	-							-	16	100	75	100		9	8	
	4270	481000	-							-	16	100	75	100		8	8	
	4270	486265	-							-	7	-	100	75		100	14	14
	H	-	1F							-	16	100	75	100		8	8	
	H	-	1H							-	7	-	100	75		100	14	14
221G27	I	-	1K	1"	15	80	80	6000	0	-	16	100	-	100	FKM	14	10	
	2995	481865	-							-	16	100	-	100		9	8	
	4270	481000	-							-	16	120	-	120		8	8	
	4270	486265	-							-	7	20	120	-		140	14	10
	H	-	1F							-	16	120	-	120		8	8	
	H	-	1H							-	7	20	120	-		140	14	10

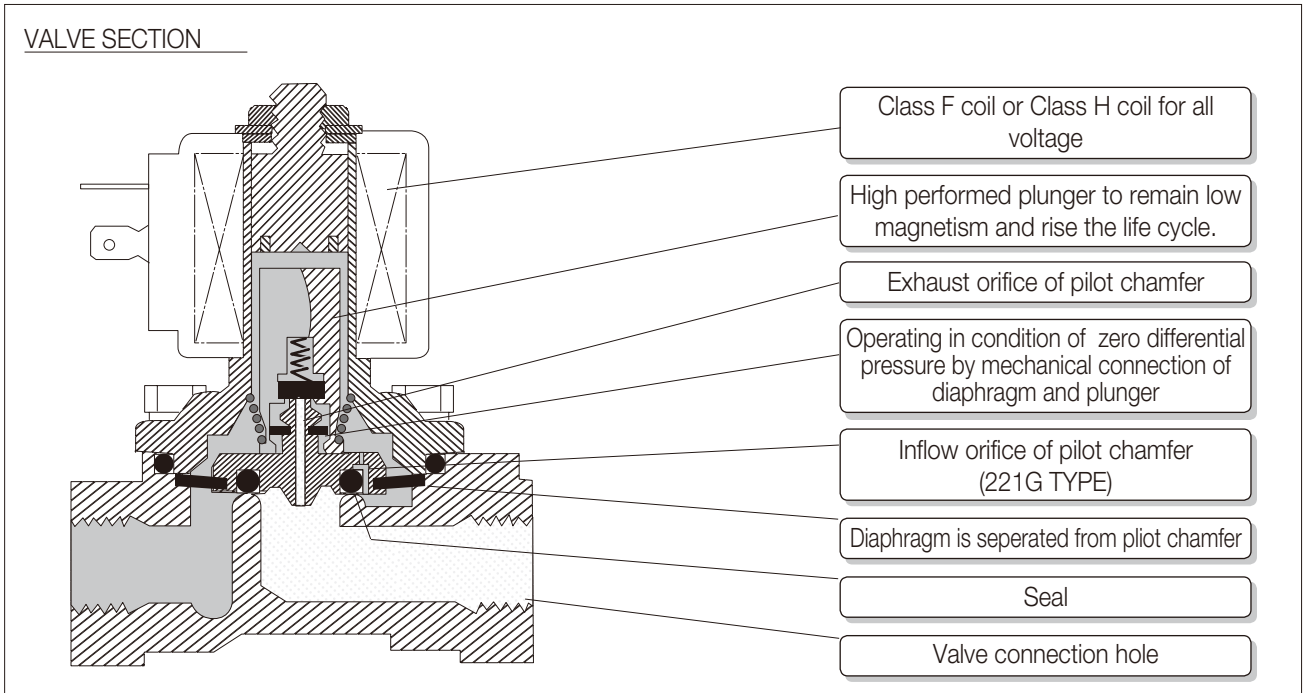
Solenoid Valves



Normally Cloased, Steam application

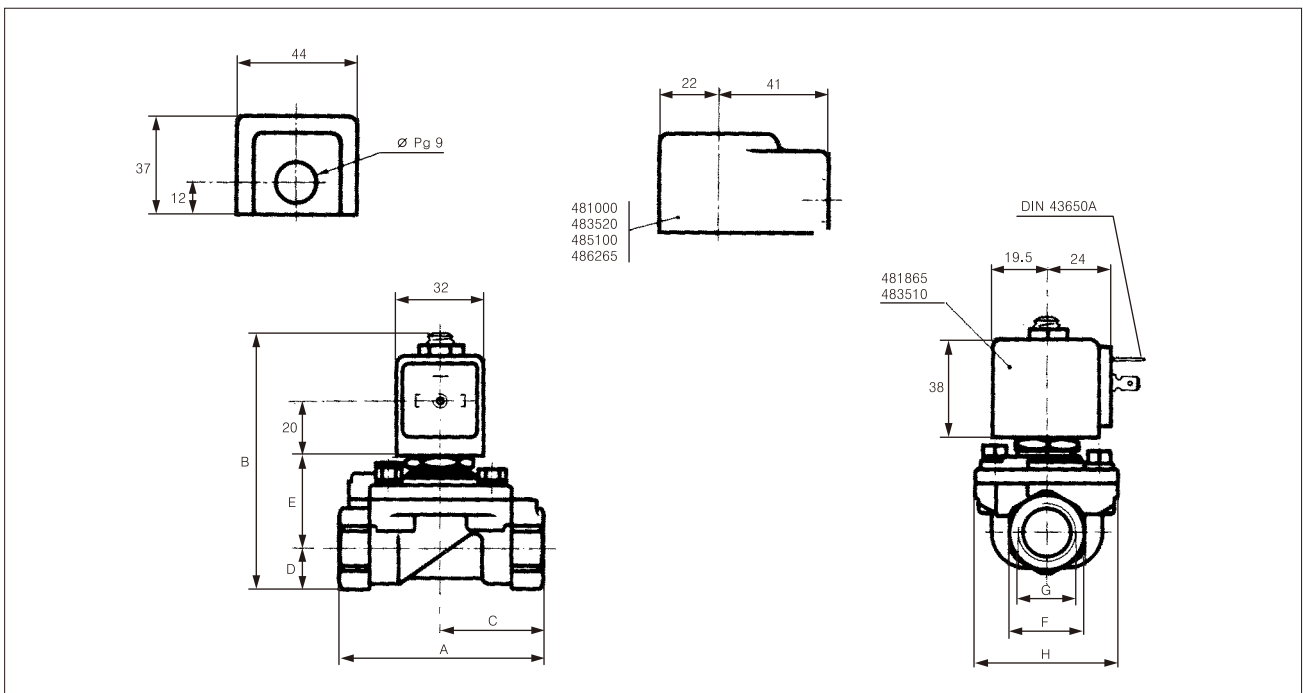
REFERENCE NO.				PORT SIZE (PF) G Thread	ORIFICE (mm)	FLOW (L/min)			ADMISSIBLE DIFF. PRESSURE (BAR)			MAX. FLUID TEMP.(°C)		SEAL	Power (W)	
VESSEL NO.	HOUSING	COIL				Liquids kv	Gases Qmax	Qn	Min	Max		WATER	STEAM		DC	AC
		Gobal	Korea							DC	AC					
221G1303	I	-	1K	3/8"	15	65	65	4500	0	-	10	100	-	EPDM	14	10
	2995	481865	481865							-	10	100	-		9	8
	4270	481000	1F							-	10	120	-		8	8
	4270	486265	-							7	10	120	-		14	14
	4270	486265	-							4	4	-	140		14	14
	H	-	1H							7	10	120	-		14	14
	H	-	1H							4	4	-	140		14	14
221G1503	I	-	1K	1/2"	15	65	65	4500	0	-	10	100	-	EPDM	14	10
	2995	481865	481865							-	10	100	-		9	8
	4270	481000	1F							-	10	120	-		8	8
	4270	486265	-							7	10	120	-		14	14
	4270	486265	-							4	4	-	140		14	14
	H	-	1H							7	10	120	-		14	14
	H	-	1H							4	4	-	140		14	14
221G1603	I	-	1K	3/4"	15	80	80	6000	0	-	10	100	-	EPDM	14	10
	2995	481865	481865							-	10	100	-		9	8
	4270	481000	1F							-	10	120	-		8	8
	4270	486265	-							7	10	120	-		14	14
	4270	486265	-							4	4	-	140		14	14
	H	-	1H							7	10	120	-		14	14
	H	-	1H							4	4	-	140		14	14
221G1703	I	-	1K	1"	15	80	80	6000	0	-	10	100	-	EPDM	14	10
	2995	481865	481865							-	10	100	-		9	8
	4270	481000	1F							-	10	120	-		8	8
	4270	486265	-							7	10	120	-		14	14
	4270	486265	-							4	4	-	140		14	14
	H	-	1H							7	10	120	-		14	14
	H	-	1H							4	4	-	140		14	14

*Port type : Available NPT, PT . Need consultation



Modle	Dimension							
	A	B	C	D	E	F	G	H
221G 3/8"	75	93	37.5	15	34	27	10	-
221G 1/2"	75	93	37.5	15	34	27	15	-
221G 3/4"	80	95.5	40	17.5	34	32	20	53
221G 1"	85	102.5	42.5	22.5	46	41	25	53

Dimensions



Blank Page

2/2 Way Valve (Magnalift)

Model : NKV Series



Features

- Normally closed
- Body : Brass
- 7000 sleeve assembled
- Coil : All of 7000 sleeve coil available
- Operated on nearly Zero MOPD
- Air, Water, Inert gas, Oil and Steam applicapable
- Applied Seal : FKM, NBR, EPDM
- Body thread type : NPT, PF available with factory consult

Specification

Major material features

- Body -Brass
- Seal -FKM,EPDM ,NBR
- Sleeve - StSt 303 ,7000

Rated Voltage & Power Consumption

- Please refer to table #1 on the back side

Respons time

- Open / Close time : 80 ~ 100 ms

Ambient temperature

- 0 ~ 50°C

Fluid temperature

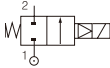
- 60°C Water & Air (NBR)
- 100°C Oil (FKM)
- 140°C Steam (EPDM)

Port size Rc (PT)

- 1/2", 3/4", 1"
(PF/NPT, Factory Consulting)

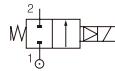
Solenoid Valves

Normally closed ,Air,Water, Oil ,Steam



REFERENCE NO.				PORT SIZE (PT) Thread	ORIFICE (mm)	FLOW (L/MIN) (L / min) Liquids KV	ADMISSIBLE DIFF. PRESSURE (BAR)			MAX. FLUID TEMP.(°C)		SEAL	Power (W)	
VESSEL NO.	HOUSING	COIL					Min	Max		Water	Oil		DC	AC
		Gobal	Korea					DC	AC					
NKV10N	I	-	1K	3/8"	15	40	0	-	10	60	-	NBR	14	10
	2995	481865	-					-	10	60	-		9	8
	4270	481000	-					-	10	60	-		8	8
	4270	486265	-					7	10	60	-		14	14
	H	-	1F					-	10	60	-		8	8
	H	-	1H					7	10	60	-		14	14
NKV10F	2995	481865	-	3/8"	15	40	0	-	10	60	100	FKM	9	8
	4270	481000	-					-	10	60	100		8	8
	4270	486265	-					7	10	60	100		14	14
	H	-	1F					-	10	60	100		8	8
	H	-	1H					7	10	60	100		14	14
	NKV15N	I	-					1K	1/2"	15	50		0	-
2995		481865	-	-	10	60	-	9				8		
4270		481000	-	-	10	60	-	8				8		
4270		486265	-	7	10	60	-	14				14		
H		-	1F	-	10	60	-	8				8		
H		-	1H	7	10	60	-	14				14		
NKV15F	2995	481865	-	1/2"	15	50	0	-	10	60	100	FKM	9	8
	4270	481000	-					-	10	60	100		8	8
	4270	486265	-					7	10	60	100		14	14
	H	-	1F					-	10	60	100		8	8
	H	-	1H					7	10	60	100		14	14
	NKV20N	I	-					1K	3/4"	24	90		0	-
2995		481865	-	-	10	60	-	9				8		
4270		481000	-	-	10	60	-	8				8		
4270		486265	-	7	10	60	-	14				14		
H		-	1F	-	10	60	-	8				8		
H		-	1H	7	10	60	-	14				14		
NKV20F	2995	481865	-	3/4"	24	90	0	-	10	60	100	FKM	9	8
	4270	481000	-					-	10	60	100		8	8
	4270	486265	-					7	10	60	100		14	14
	H	-	1F					-	10	60	100		8	8
	H	-	1H					7	10	60	100		14	14
	NKV25N	I	-					1K	1"	27	120		0	-
2995		481865	-	-	10	60	-	9				8		
4270		481000	-	-	10	60	-	8				8		
4270		486265	-	7	10	60	-	14				14		
H		-	1F	-	10	60	-	8				8		
H		-	1H	7	10	60	-	14				14		
NKV25F	2995	481865	-	1"	27	120	0	-	10	60	100	FKM	9	8
	4270	481000	-					-	10	60	100		8	8
	4270	486265	-					7	10	60	100		14	14
	H	-	1F					-	10	60	100		8	8
	H	-	1H					7	10	60	100		14	14

Solenoid Valves

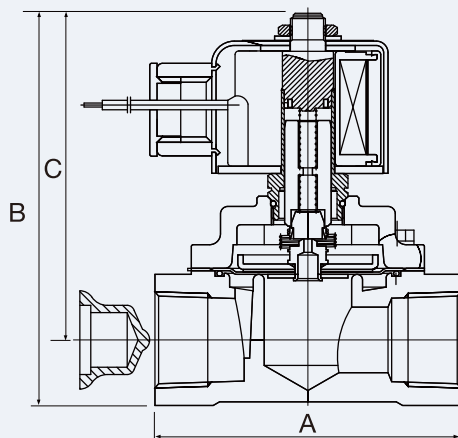


Normally Closed, Steam application

REFERENCE NO.				PORT SIZE (PT) Thread	ORIFICE (mm)	FLOW (L/MIN) (L / min) Liquids kv	ADMISSIBLE DIFF. PRESSURE (BAR)			MAX. FLUID TEMP.(°C)		SEAL	Power (W)	
VESSEL NO.	HOUSING	COIL					Min	Max		WATER	STEAM		DC	AC
		Gobal	Korea					DC	AC					
NKV10E	I	-	1K	3/8"	15	40	0	-	10	80	-	EPDM	14	10
	2995	481865	481865					-	10	80	-		9	8
	4270	481000	1F					-	10	80	-		8	8
	4270	486265	-					7	10	80	-		14	14
	4270	486265	-					4	4	80	140		14	14
	H	-	1H					7	10	80	-		14	14
	H	-	1H					4	4	80	140		14	14
NKV15E	I	-	1K	1/2"	15	50	0	-	10	80	-	EPDM	14	10
	2995	481865	481865					-	10	80	-		9	8
	4270	481000	1F					-	10	80	-		8	8
	4270	486265	-					7	10	80	-		14	14
	4270	486265	-					4	4	80	140		14	14
	H	-	1H					7	10	80	-		14	14
	H	-	1H					4	4	80	140		14	14
NKV20E	I	-	1K	3/4"	24	90	0	-	10	80	-	EPDM	14	10
	2995	481865	481865					-	10	80	-		9	8
	4270	481000	1F					-	10	80	-		8	8
	4270	486265	-					7	10	80	-		14	14
	4270	486265	-					4	4	80	140		14	14
	H	-	1H					7	10	80	-		14	14
	H	-	1H					4	4	80	140		14	14
NKV25E	I	-	1K	1"	27	120	0	-	10	80	-	EPDM	14	10
	2995	481865	481865					-	10	80	-		9	8
	4270	481000	1F					-	10	80	-		8	8
	4270	486265	-					7	10	80	-		14	14
	4270	486265	-					4	4	80	140		14	14
	H	-	1H					7	10	80	-		14	14
	H	-	1H					4	4	80	140		14	14

Dimensions

NKV Series



(Unit : mm)

Series(Fitting size)	Dimension		
	A	B	C
NKV 3/8"	72	100	85
NKV 1/2"	72	100	85
NKV 3/4"	84	108	90
NKV 1"	95	118	95

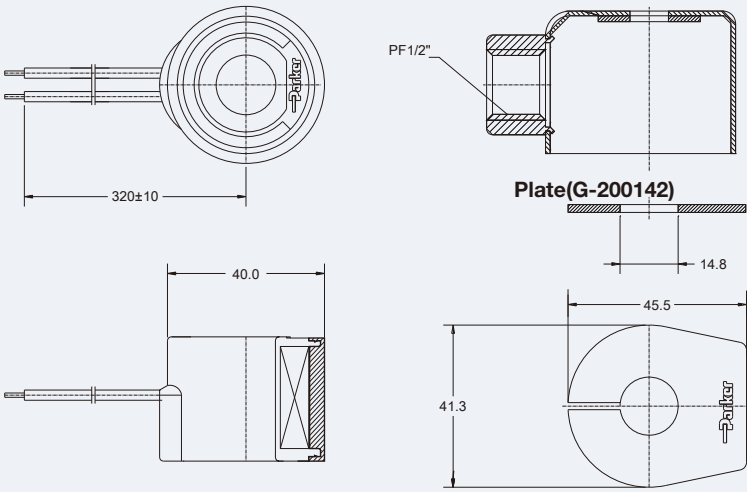
Solenoid Valves

H-1F / H-1H

Coil G-200146("F" Class)
G-200148("H" Class)

Enclosure Housing(G-200140)

(Unit : mm)



Rated Voltage & Power Consumption

(Table #1)

Code	Volts / Hz	Watt	Coil
C1	DC12	14	H-1H
C2	DC24		
A2	24/50	8	H-1F
B2	24/50		
6J	110/60, 115/60		
0A	110/50, 115/50		
4K	220/60, 240/60		
3A	220/50, 230/50	14	H-1H
A2	24/50		
OP	100/50, 115/60		
A5	110/50		
B7	220/60		
S2	200/50, 230/60		
A7	220/50		

How to Order

NKV 15 N-H-1F-C1

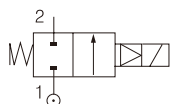
- ①
- ②
- ③
- ④
- ⑤

- ① Valve series
- ② Port size
 - 10 PT3/8"
 - 15 PT1/2"
 - 20 PT 3/4"
 - 25 PT1"
- ③ Seal material
 - N NBR
 - F FKM
 - E EPDM

- ④ Enclosure & Coil
 - H-1F 1/2" PF Conduit
8 Watt, "F" Class
 - H-1H 1/2" PF Conduit
14 Watt, "H" Class
- ⑤ Rated voltage code
See Table #1

2/2 Way Valve (Magnalift)

Model : 221S Series



Features

- Normally closed
- Body : StSt 316
- 7000 sleeve assembled
- Coil : All of 7000 sleeve coil available
- Operated on nearly Zero MOPD
- Oil, gas, Steam and corrosive fluid applicapable
- Applied Seal : FKM, EPDM and NBR with factory consult
- Body thread type : NPT, PT available with factory consult

Application

- Chiller (Semiconductor)
- Food and fluid Press process
- Oil and gase applied equipment
- Printing machine
- Testing equipment

Normally Closed

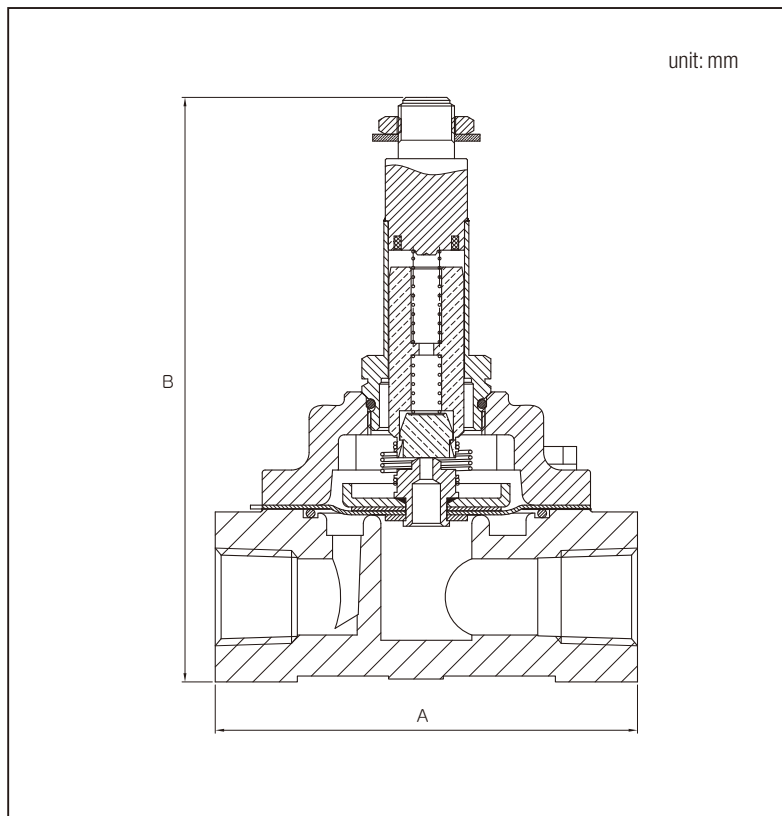
REFERENCE NO.				PORT SIZE (PF) G Thread	ORIFICE (mm)	FLOW (L/MIN) (L / min) Liquids KV	ADMISSIBLE DIFF. PRESSURE (BAR)			MAX. FLUID TEMP.(°C)		SEAL	Power (W)	
VESSEL NO. Lucifer	HOUSING	COIL					Min	Max		Water	Steam		DC	AC
		Gobal	Korea					DC	AC					
221S10F	I	-	1K	3/8"	15	40	0	-	10	85		FKM	14	10
	2995	481865	-					-	10	85			9	8
	4270	481000	-					-	10	85			8	8
	4270	486265	-					7	10	85			14	14
	H	-	1F					-	10	85			8	8
	H	-	1H					7	10	85			14	14
221S10E	2995	481865	-	3/8"	15	40	0	-	10	85	-	EPDM	9	8
	4270	481000	-					-	10	85	-		8	8
	4270	486265	-					4	4	-	140		14	14
	H	-	1F					-	10	85			8	8
	H	-	1H					4	4	-	140		14	14
221S15F	I	-	1K	1/2"	15	50	0	-	10	85		FKM	14	10
	2995	481865	-					-	10	85			9	8
	4270	481000	-					-	10	85			8	8
	4270	486265	-					7	10	85			14	14
	H	-	1F					-	10	85			8	8
	H	-	1H					7	10	85			14	14
221S15E	2995	481865	-	1/2"	15	50	0	-	10	85		EPDM	9	8
	4270	481000	-					-	10	85			8	8
	4270	486265	-					4	4	-	140		14	14
	H	-	1F					-	10	85			8	8
	H	-	1H					4	4	-	140		14	14

Solenoid Valves

Normally Closed

REFERENCE NO.				PORT SIZE (PF) G Thread	ORIFICE (mm)	FLOW (L/MIN) (L/min) Liquids KV	ADMISSIBLE DIFF. PRESSURE (BAR)			MAX. FLUID TEMP.(°C)		SEAL	Power (W)	
VESSEL NO. Lucifer	HOUSING	COIL					Min	Max		Water	Steam		DC	AC
		Gobal	Korea					DC	AC					
221S20F	I	-	1K	3/4"	24	95	0	-	10	85		FKM	14	10
	2995	481865	-					-	10	85			9	8
	4270	481000	-					-	10	85			8	8
	4270	486265	-					7	10	85			14	14
	H	-	1F					-	10	85			8	8
	H	-	1H					7	10	85			14	14
221S20E	2995	481865	-	24	95	0	-	10	85		EPDM	9	8	
	4270	481000	-				-	10	85			8	8	
	4270	486265	-				4	10	-	140		14	14	
	H	-	1F				-	10	85			8	8	
	H	-	1H				4	10	-	140		14	14	
221S25F	I	-	1K	1"	24	105	0	-	10	85		FKM	14	10
	2995	481865	-					-	10	85			9	8
	4270	481000	-					-	10	85			8	8
	4270	486265	-					7	10	85			14	14
	H	-	1F					-	10	85			8	8
	H	-	1H					7	10	85			14	14
221S25E	2995	481865	-	24	105	0	-	10	85		EPDM	9	8	
	4270	481000	-				-	10	85			8	8	
	4270	486265	-				4	4	85	140		14	14	
	H	-	1F				-	10	85			8	8	
	H	-	1H				4	4	85	140		14	14	

Dimension



Size	Model			
	221S10F	221S15F	221S20F	221S25F
A	72	72	72	83
B	100	100	117	117

Solenoid Valves

2/2Way Pilot Operated

Model : 321G Series

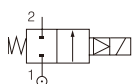


Features

- General Purpose Solenoid Valve
- 2-Way Pilot Operated
- Air, Water, and Steam applicable.
- Applied Seal : NBR, EPDM

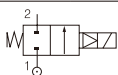
Application

- Water treatment plants
- Industrial washing plants
- Irrigation Systems
- HVAC
- Cooling System
- Fire-fighting system



Normally Closed, Water, Air application

REFERENCE NO.				PORT SIZE (PF) G Thread	ORIFICE (mm)	FLOW (L/MIN) (L / min) Liquids KV	ADMISSIBLE DIFF. PRESSURE (BAR)			MAX. FLUID (°C)	SEAL	Power (W)	
VESSEL NO.	HOUSING	COIL					Min	Max				Water	DC
		Gobal	Korea					DC	AC				
E321G3610	I	-	1K	3/4"	20	135	0.3	16	16	75	NBR	14	10
	2995	481865	-					16	16	75		9	8
	4270	481000	-					16	16	75		8	8
	H	-	1F					16	16	75		8	8
E321G3710	I	-	1K	1"	25	180	0.3	16	16	75	NBR	14	10
	2995	481865	-					16	16	75		9	8
	4270	481000	-					16	16	75		8	8
	H	-	1F					16	16	75		8	8
E321G3810	I	-	1K	1-1/4"	28	280	0.3	16	16	75	NBR	14	10
	2995	481865	-					16	16	75		9	8
	4270	481000	-					16	16	75		8	8
	H	-	1F					16	16	75		8	8
	4270	486265	-					16	20	75		14	14
E321G3910	I	-	1K	1-1/2"	40	420	0.3	8.5	16	75	NBR	14	10
	2995	481865	-					10	16	75		9	8
	4270	481000	-					8.5	16	75		8	8
	4270	486265	-					16	20	75		14	14
	H	-	1F					8.5	16	75		8	8
E321G4010	I	-	1K	2"	40	560	0.3	8.5	16	75	NBR	14	10
	2995	481865	-					10	16	75		9	8
	4270	481000	-					8.5	16	75		8	8
	4270	486265	-					16	20	75		14	14
	H	-	1F					8.5	16	75		8	8
H	-	1H	16	20	75	14	14						



Normally Closed, Steam application

REFERENCE NO.				PORT SIZE (PF) G Thread	ORIFICE (mm)	FLOW (L / min) Liquids kv	ADMISSIBLE DIFF. PRESSURE (BAR)			MAX. FLUID (°C)		SEAL	Power (W)	
VESSEL NO.	HOUSING	COIL					Min	Max		WATER	Steam		DC	AC
		Gobal	Korea					DC	AC					
321G3803	I	-	1K	1-1/4"	28	280	0.3	16	16	100	-	EPDM	14	10
	2995	481865	481865					16	16	100	-		9	8
	4270	481000	1F					16	16	120	-		8	8
	4270	486265	-					4	4	-	145		14	14
	H	-	1H					4	4	-	145		14	14
321G3903	I	-	1K	1-1/2"	40	420	0.3	14	16	100	-	EPDM	14	10
	2995	481865	481865					10	16	100	-		9	8
	4270	481000	1F					8.5	16	120	-		8	8
	4270	486265	-					4	4	-	145		14	14
	H	-	1H					4	4	-	145		14	14
321G4003	I	-	1K	1"	40	560	0.3	14	16	100	100	EPDM	14	10
	2995	481865	481865					10	16	100	100		9	8
	4270	481000	1F					8.5	16	120	120		8	8
	4270	486265	-					4	4	-	145		14	14
	H	-	1H					4	4	-	145		14	14

Solenoid Valves

Fluid Temp.

- Min. : -10°C
- Max. : Refer Table

Ambient Temp.

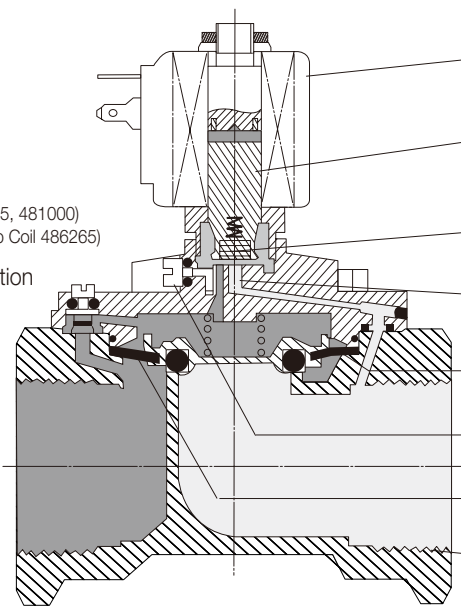
- -10°C +50°C

Coil Class

- Class F (Coil 481865, 481000)
- Class H (High Temp Coil 486265)

Power Consumption

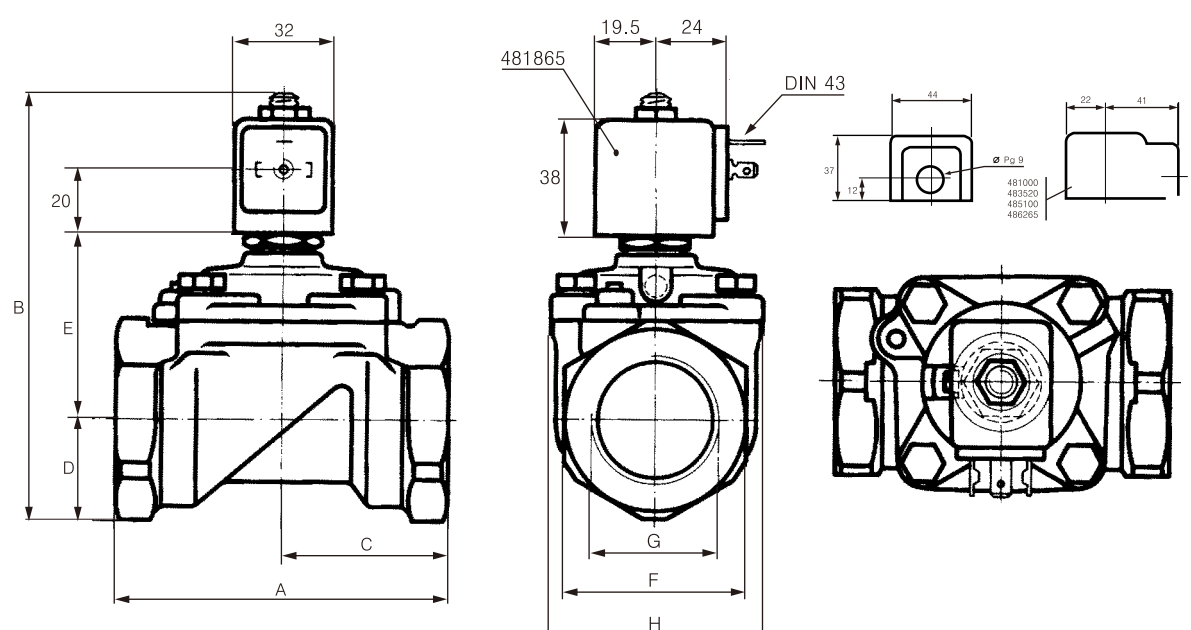
- 8-9W



- Class F Coil or Class H Coil
- High performed plunger to remain low magnetism and rise the life cycle.
- Seal Assembly for prevent the impact to rise the life cycle and reduce the impact when it closed
- Pilot Orifice
- Diaphragm
- Manual Operator
- Flow control device
- Valve Port

Model	Dimensions							
	A	B	C	D	E	F	G	H
E321G38	110	137.5	55	33	60.5	60	32	70
E321G39	140	144	75	33	67	60	40	99
E321G40	150	158.5	80	41.5	73	75	50	99

Dimensions(mm)



Technical drawings of the 321G solenoid valve showing dimensions in millimeters. The drawings include a front view with dimensions A, B, C, D, and E; a side view with dimensions F, G, and H; and detail views of the coil and valve body. Dimensions are: 32, 20, B, E, D, A, C, 481865, 19.5, 24, 38, DIN 43, 44, 37, 12, \varnothing Pg. 9, 481000, 483250, 485100, 486265, 22, 41, G, F, H.

* 321G All type

2/2 Way Pilot Operated

Model : 321K Series

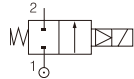


Features

- Normally Closed , Universal
- 7000 Sleeve
- Body : Brass
- Coil : All of 7000 sleeve suitable coil available
- A minimum operating pressure is required
- Air, Water ,Inert gas, Oil applicapable
- Shunt-off applications of liquids with high flow and pressure
- Applied Seal : FKM , EPDM with Factory consult

Application

- Fire system
- Air dryer
- Water treatment system



Normally Closed, Water, Air application

REFERENCE NO.				PORT SIZE (PF) G Thread	ORIFICE (mm)	FLOW (L/MIN) (L / min) Liquids KV	ADMISIBLE DIFF. PRESSURE (BAR)			MAX. FLUID TEMP.(°C)	SEAL	Power (W)			
Valve Reference no	HOUSING	COIL					Min	Max				Water	DC	AC	
		Gobal	Korea					DC	AC						
321K4106	I	-	1K	1/4"	12	30	0.3	12	12	100	FKM	14	10		
	2995	481865	-					12	12	100		9	8		
	4270	481000	-					12	12	100		8	8		
	H	-	1F					12	12	100		8	8		
321K4156	I	-	1K		1/4"	12	30	0.3	12	12	100	FKM	14	10	
	2995	481865	-						12	12	100		9	8	
	4270	481000	-						12	12	100		8	8	
	H	-	1F						12	12	100		8	8	
321K4306	I	-	1K			3/8"	12	45	0.3	12	12	100	FKM	14	10
	2995	481865	-							12	12	100		9	8
	4270	481000	-							12	12	100		8	8
	H	-	1F							12	12	100		8	8
321K4356	I	-	1K	3/8"			12	45	0.3	12	12	100	FKM	14	10
	2995	481865	-							12	12	100		9	8
	4270	481000	-							12	12	100		8	8
	H	-	1F							12	12	100		8	8
321K4506	I	-	1K		1/2"		12	50	0.3	12	12	100	FKM	14	10
	2995	481865	-							12	12	100		9	8
	4270	481000	-							12	12	100		8	8
	H	-	1F							12	12	100		8	8
321K4556	I	-	1K			1/2"	12	50	0.3	12	12	100	FKM	14	10
	2995	481865	-							12	12	100		9	8
	4270	481000	-							12	12	100		8	8
	H	-	1F							12	12	100		8	8
321K4606	I	-	1K	3/4"			18	100	0.3	12	12	100	FKM	14	10
	2995	481865	-							12	12	100		9	8
	4270	481000	-							12	12	100		8	8
	H	-	1F							12	12	100		8	8
321K4656	I	-	1K		3/4"		18	100	0.3	12	12	100	FKM	14	10
	2995	481865	-							12	12	100		9	8
	4270	481000	-							12	12	100		8	8
	H	-	1F							12	12	100		8	8
321K4706	I	-	1K			1"	18	110	0.3	12	12	100	FKM	14	10
	2995	481865	-							12	12	100		9	8
	4270	481000	-							12	12	100		8	8
	H	-	1F							12	12	100		8	8
321K4756	I	-	1K	1"			18	110	0.3	12	12	100	FKM	14	10
	2995	481865	-							12	12	100		9	8
	4270	481000	-							12	12	100		8	8
	H	-	1F							12	12	100		8	8

2/2Way Pilot Operated

Model : E321H Series

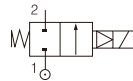


Features

- Normally Closed
- 7000 Sleeve
- Body : Brass
- Coil : All of 7000 sleeve suitable coil available
- A minimum operating pressure is required
- Air, Water ,Inert gas, Oil applicapable
- Shunt-off applications of liquids with high flow and pressure
- Applied Seal : FKM , EPDM with Factory consult

Application

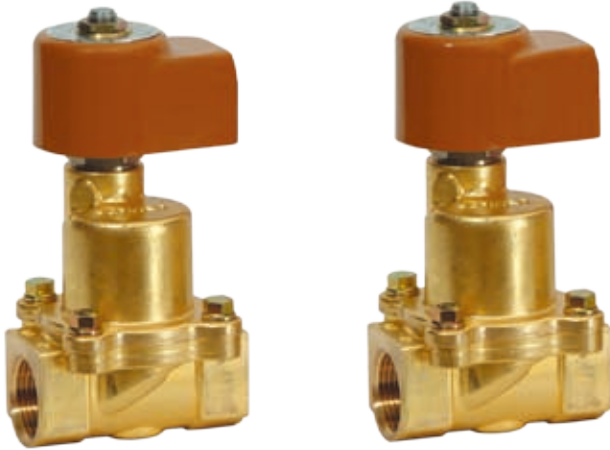
- Oil Burner
- Blow former
- Compressor
- Industrial machine



Normally Cloased

Valve Reference no	REFERENCE NO.			PORT SIZE (PF) G (Inch)	ORIFICE (mm)	FLOW (L/MIN) (L / min) Liquids KV	ADMISSIBLE DIFF. PRESSURE (BAR)			MAX. FLUID TEMP.(°C)			SEAL	Power Consumption (W)						
	HOUSING	COIL					Min	Max		Gas	Liquid	Oil		DC	AC					
		Gobal	Korea					DC	AC											
E321H21	I	-	1K	1/4"	8	36	0.3	30	40	-	100	100	FKM	14	10					
	2995	481865	-					25	40	-	100	100		9	8					
	4270	481000	-					30	40	-	100	100		8	8					
	4270	486265	-					40	40	-	100	100		14	14					
	H	-	1F					30	40	-	100	100		8	8					
	H	-	1H					40	40	-	100	100		14	14					
E321H11	I	-	1K	3/8"	8	36	0.3	30	40	100	75	100	NBR	14	10					
	2995	481865	-					25	40	100	75	100		9	8					
	4270	481000	-					30	40	100	75	100		8	8					
	H	-	1F					30	40	100	75	100		8	8					
	I	-	1K					3/8"	11	50	0.3	30		40	-	100	100	FKM	14	10
	2995	481865	-									25		40	-	100	100		9	8
4270	481000	-	30	40	-	100	120					8	8							
4270	486265	-	40	40	-	100	140					14	14							
H	-	1F	30	40	-	100	120					8	8							
H	-	1H	40	40	-	100	140					14	14							
E321H13	I	-	1K	1/2"	11	50	0.3	30	40	100	75	100	NBR	14	10					
	2995	481865	-					25	40	100	75	100		9	8					
	4270	481000	-					30	40	100	75	100		8	8					
	H	-	1F					30	40	100	75	100		8	8					
	I	-	1K					1/2"	14.5	60	0.3	30		40	-	100	100	FKM	14	10
	2995	481865	-									25		40	-	100	100		9	8
4270	481000	-	30	40	-	100	120					8	8							
4270	486265	-	40	40	-	100	140					14	14							
H	-	1F	30	40	-	100	120					8	8							
H	-	1H	40	40	-	100	140					14	14							
E321H15	I	-	1K	1/2"	15	60	0.3	30	40	100	75	100	NBR	14	10					
	2995	481865	-					25	40	100	75	100		9	8					
	4270	481000	-					30	40	100	75	100		8	8					
	H	-	1F					30	40	100	75	100		8	8					

2/2Way Pilot (Piston) Operated Model : 708N Series



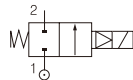
Features

- Normally Closed
- Body : Brass
- 7000 sleeve assembled
- Coil : All of 7000 sleeve coil available
- Steam applicapable in High pressure (8bar) and temperature(180°C)
- Applied Seal : Teflon
- Body thread type : NPT, PT available with factory consult

Applications

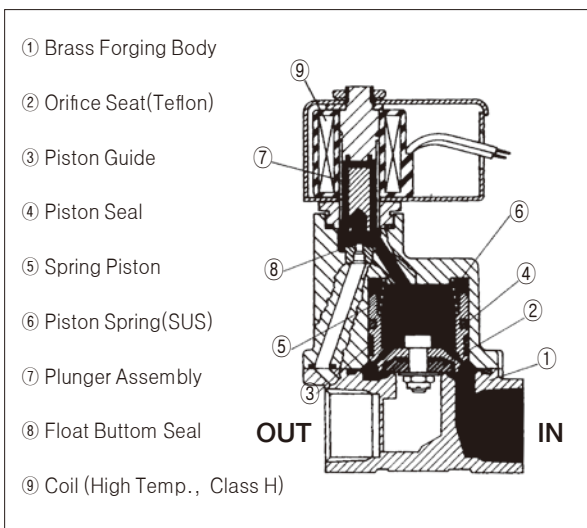
- Ironing machines
- Tanning plants
- A Sterilizer
- Food and fluid steam Press process
- A dyeing machine
- Hospital equipment
- Tobacco plants

Normally Closed

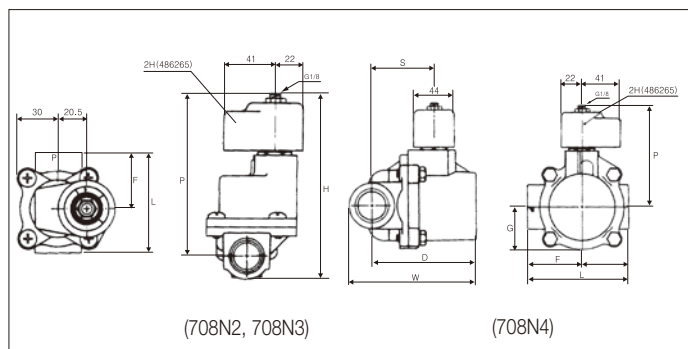


REFERENCE NO.				PORT SIZE (PF) G (INCH)	ORIFICE (mm)	FLOW (L / min) Liquids kv	ADMISSIBLE DIFF. PRESSURE (BAR)			MAX. FLUID TEMP.(°C)	SEAL	Power (W)		
VESSEL NO.	HOUSING	COIL					Min	Max				Steam	AC	DC
		Gobal	Korea					DC	AC					
708N2	4270	486265	-	1/2	15	62	0.3	-	8	180	TEFLON	14	-	
	H	-	1H-XX					-	8			14	-	
708N3	4270	486265	-	3/4	19	79	0.3	-	8	180		14	-	
	H	-	1H-XX					-	8			14	-	
708N4	4270	486265	-	1	28	195	0.3	-	8	180		14	-	
	H	-	1H-XX					-	8			14	-	

Cross Section Drawing



Dimensions



Model	Dimension							
	H	P	L	F	G	S	D	W
708N2	129	115	68	36	-	-	-	-
708N3	134.5	118	70	36	-	-	-	-
708N4	-	100.5	98	54	41	59.5	93	115

Coil Reference

Housing & Coil Part No.	7000 Sleeve	WV Series Sleeve	Power Consumption(Watt)		Coil Insulation Class	Certification	USED ON	24/50	24/60	24/50~60	42/50, 48/60	48/50	100/50, 110/60	110/50	110/50, 115/50	110/60	100/50, 115/60	110/60, 115/60
			DC	AC														
4270-481000	OK	-	8	8	F	NA	GP All	A2	B2		S7	A4			OA			6J
4270-486265		-	14	14	H	NA		A2							A5			OP
2995-481865	OK	-	9	8	F	CE		A2	B2						A5			
I-1K	OK	-	14	10	F	UL, CE								8P				
I-1S	-	OK	6	5.5	F	UL, CE	WV121S WV131S			PO			8P					
H-WS		OK	9	8	F	NA				PO							B5	
H-1F	OK	-	8	8	F	NA	GP All (KOR Markt)	A2	B2						OA			6J
H-1H		-	14	14	H	NA		A2							A5			OP

Coil Reference

Housing & Coil Part No.	110/50, 120/60	115/60	200/50, 220/60	220/50	220/60	220/50, 230/50	200/50, 230/60	220/50, 240/60	220/60, 240/60	230/50	230/60	380/50	380/50, 440/60	12/DC	24/DC	48/DC	110/DC	220/DC	Housing type
4270-481000						3D			4K				5P	C1	C2	C4	C5	C7	Coil Housing with screw terminals
4270-486265				A7	B7		S2			F4		A9		C1	C2	C4			Coil Housing with screw terminals
2995-481865		K8									J3			C1	C2	C4	C5		Coils for din plug connection IP67 Lucifer coil
I-1K	P3		9P							F4				C1	C2				Molded lead wire
I-1S	P3		9P											C1	C2				Molded lead wire
H-WS					B7									C1	C2				Coil Housing
H-1F									4K					C1	C2				Coil Housing with screw terminals
H-1H				A7	B7		S2							C1	C2				Coil Housing with screw terminals


Memo

Memo



Parker Korea Ltd.
CIC Group

777 Jung-ri, Dongtan-myeon, Hwaseong-city Gyeonggi-do, 445-813, Korea
Tel. 031-379-2200
Fax. 031-377-9710

A solid orange horizontal bar at the bottom of the page.